

OPERATING WEIGHT

Open Cab 4,850 lb (2 200 kg)

OVERALL DIMENSIONS

Overall Height 90.6 in (2 300 mm)

Overall Length:
Without Bucket 120.2 in (3 054 mm)

Machine Width 48.4 in (1 230 mm)

LOADER PERFORMANCE SPECS

Lifting Height 96.5 in (2 450 mm)

Tipping load (ISO) – Straight 4,528 lb (2 054 kg)

Lifting Capacity 4,850 lb (2 200 kg)

SERVICE CAPACITIES

Hydraulic system 6.6 gal (25 L)

ELECTRIC POWERTRAIN

Nominal Battery Voltage 48 Volts

Battery Chemistry Lithium Ion

Battery Capacity 24.9 kWh

On-Board Charger 240V 1 Phase

Charging Time 0 - 100% 8.7 hr

Charging Time 20 - 80% 5.2 hr

Off-Board Charger 480V 3 Phase Optional

Charging Time 0 - 100% 1.7 hr

Charging Time 20 - 80% 1.0 hr

Motor Type 3 Phase DC Brushless (IP54)

Drive Motor Power 9 hp (6.5 kW)

Implement Motor Power 16 hp (12.0 kW)

Expected run time – dependent on application:
5 - 6 hr

HYDRAULICS

Control Valve Type Open Center

Pump Type Fixed Gear

Working Hydraulics:

Total Flow Rate 9.2 gpm (35 L/min)

Operating Pressure 2,500 psi (170 bar)

Auxiliary 1:

Max. Flow Rate 9.2 gpm (35 L/min)

Pressure 2,500 psi (170 bar)

Auxiliary 2 – optional:

Max. Flow Rate 9.2 gpm (35 L/min)

Pressure 2,500 psi (170 bar)

DRIVETRAIN

Transmission Type Electric

Differential Type Limited Slip

Parking brake:

Type Drum

Max. Travel speed:

Turtle 3.7 mph (6 kph)

Mid 7.5 mph (12 kph)

Rabbit 11.2 mph (18 kph)

STANDARD EQUIPMENT

OPERATOR ENVIRONMENT

ROPS/FOPS safety roof
Safety entry bar
Key start
Mechanical suspension vinyl seat
Armrests
Retractable seat belt
Exterior mirrors

ELECTRIC POWERTRAIN

Lithium-ion battery
240V on-board charger
Battery management system
Battery DC fast-charge connector

OPTIONAL EQUIPMENT

OPERATOR ENVIRONMENT

Fold-able open ROPS
Enclosed cab with heat
Air suspension seat

CHARGING

480V 3 Phase DC fast charger

ELECTRICAL

1 boom worklight
2 front cab work lights
Anti-theft protection with access code

DRIVETRAIN

Electric 4-wheel drive
FNR control on joystick
Limited slip axles
Drum brakes

LOADER

Standard lift path
Mechanical self leveling
Loader lift arm support strut
SSL compatible attachment coupler,
hydraulic powered
Additional counterweights

ELECTRICAL

2 cab rear work lights
Rotating beacon light
Strobe light

HYDRAULICS

3-spool main control valve
2x dual acting auxiliary hydraulics
Attachment case drain return
Biodegradable hydraulic fluid

OTHER STANDARD FEATURES

Recovery Hook
Lifting eyes
White-noise backup alarm
Horn

WARRANTY

Base warranty coverage: 2-Year/1,000-Hour
Full Machine Limited Warranty

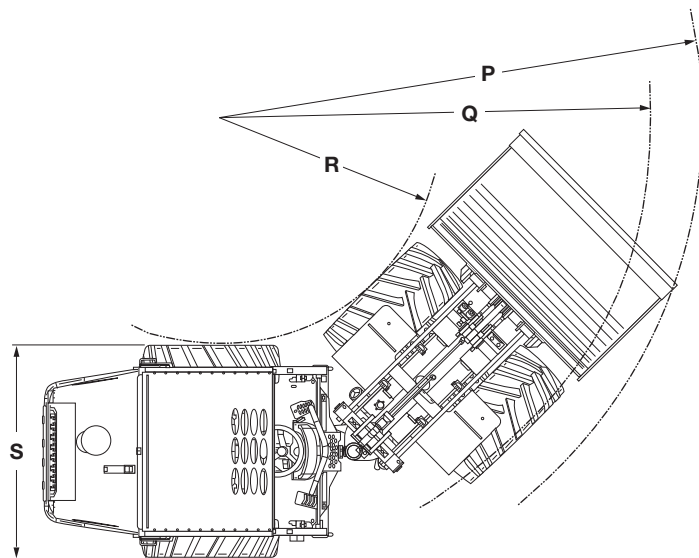
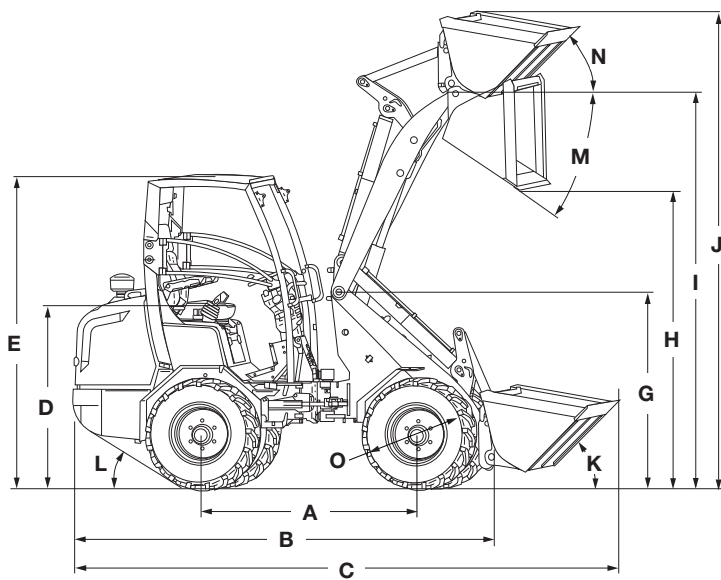
Electric power train warranty coverage:
3-year/3,000 Hour Limited Warranty

HYDRAULICS

Hydraulic boom suspension (ride control)

OTHER

English, Spanish, or French Operator Manual



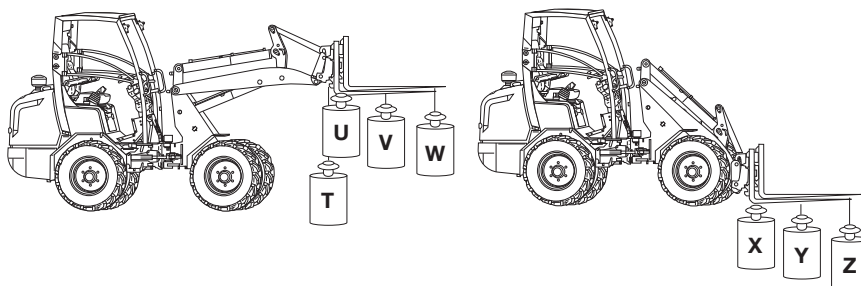
Line drawings are for illustrative purpose only and may not be exact representation of unit.

DIMENSIONS

A. Wheelbase	62.2 in (1 580 mm)
B. Total length	120.2 in (3 054 mm)
C. Length with bucket	150.8 in (3 830 mm)
D. Seat height	49.4 in (1 256 mm)
E. Max. height with safety roof	90.6 in (2 300 mm)
F. Max. height with cabin	89.9 in (2 284 mm)
G. Height front frame	49.2 in (1 250 mm)
H. Max. dumping height	66.1 in (1 680 mm)
I. Lifting height	96.5 in (2 450 mm)
J. Height with bucket	119.7 in (3 040 mm)
K. Rollback angle on the ground	41°
L. Rollback angle at max. lift height	46°
M. Max. dumping angle	37°
N. Max. loading angle	29°
O. Outer size of tires	29.9 in (760 mm)
P. Maximum radius external	42.5 in (1 080 mm)
Q. Turning radius on outer edge	104.3 in (2 650 mm)
R. Inner turning radius	92.2 in (2 342 mm)
S. Width on standard tires	48.4 in (1 230 mm)

TIPPING LOADS

T.	4,530 lb (2 054 kg)
U.	3,480 lb (1 580 kg)
V.	2,510 lb (1 140 kg)
W.	1,870 lb (850 kg)
X.	5,900 lb (2 675 kg)
Y.	3,510 lb (1 590 kg)
Z.	2,470 lb (1 120 kg)



CaseCE.com

©2023 CNH Industrial America LLC. All rights reserved. CASE is a trademark registered in the United States and many other countries, owned by or licensed to CNH Industrial N.V., its subsidiaries or affiliates. CNH Industrial Capital is a trademark in the United States and many other countries, owned by or licensed to CNH Industrial N.V., its subsidiaries or affiliates.

IMPORTANT: CASE Construction Equipment Inc. reserves the right to change these specifications without notice and without incurring any obligation relating to such change. Availability of some models and equipment builds vary according to the country in which the equipment is used. The illustrations and text may include optional equipment and accessories and may not include all standard equipment. Your CASE dealer/distributor will be able to give you details of the products and their specifications available in your area.



CASE Construction Equipment is biodiesel-friendly. NOTE: All engines meet current EPA emissions regulations. All specifications are stated in accordance with SAE Standards or Recommended Practices, where applicable.



Always read the Operator's Manual before operating any equipment. Inspect equipment before using it, and be sure it is operating properly. Follow the product safety signs and use any safety features provided.

Form No. CCE202310SL22EV
Replaces Form No. CCE202307SL22EV

SL22 EV

2 of 2